



wwPDB X-ray Structure Validation Summary Report ⓘ

Mar 20, 2026 – 02:31 PM UTC

PDB ID : 9NT3 / pdb_00009nt3
Title : Crystal structure of apo ecLacI transcription factor ancestor 1
Authors : Georgelin, R.L.; Frkic, R.L.; Jackson, C.J.
Deposited on : 2025-03-18
Resolution : 2.45 Å(reported)

This is a wwPDB X-ray Structure Validation Summary Report for a publicly released PDB entry.

We welcome your comments at validation@mail.wwpdb.org

A user guide is available at

<https://www.wwpdb.org/validation/2017/XrayValidationReportHelp>

with specific help available everywhere you see the ⓘ symbol.

The types of validation reports are described at

<http://www.wwpdb.org/validation/2017/FAQs#types>.

The following versions of software and data (see [references ⓘ](#)) were used in the production of this report:

MolProbity : 4-5-2 with Phenix2.0
Xtrriage (Phenix) : 2.0
EDS : 3.0
Percentile statistics : 20250101.v01 (using entries in the PDB archive January 1st 2025)
CCP4 : 9.0.010 (Gargrove)
Density-Fitness : 1.0.12
Ideal geometry (proteins) : Engh & Huber (2001)
Ideal geometry (DNA, RNA) : Parkinson et al. (1996)
Validation Pipeline (wwPDB-VP) : 2.49

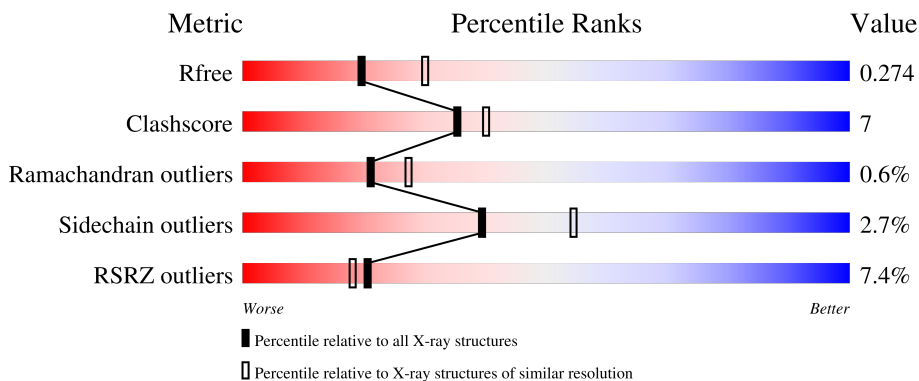
1 Overall quality at a glance

The following experimental techniques were used to determine the structure:

X-RAY DIFFRACTION

The reported resolution of this entry is 2.45 Å.

Percentile scores (ranging between 0-100) for global validation metrics of the entry are shown in the following graphic. The table shows the number of entries on which the scores are based.



Metric	Whole archive (#Entries)	Similar resolution (#Entries, resolution range(Å))
R_{free}	180053	1190 (2.46-2.46)
Clashscore	190562	1229 (2.46-2.46)
Ramachandran outliers	187476	1218 (2.46-2.46)
Sidechain outliers	187428	1218 (2.46-2.46)
RSRZ outliers	180081	1190 (2.46-2.46)

The table below summarises the geometric issues observed across the polymeric chains and their fit to the electron density. The red, orange, yellow and green segments of the lower bar indicate the fraction of residues that contain outliers for ≥ 3 , 2, 1 and 0 types of geometric quality criteria respectively. A grey segment represents the fraction of residues that are not modelled. The numeric value for each fraction is indicated below the corresponding segment, with a dot representing fractions $\leq 5\%$. The upper red bar (where present) indicates the fraction of residues that have poor fit to the electron density. The numeric value is given above the bar.

Mol	Chain	Length	Quality of chain
1	A	280	
1	B	280	
1	C	280	
1	D	280	

2 Entry composition

There are 2 unique types of molecules in this entry. The entry contains 8184 atoms, of which 0 are hydrogens and 0 are deuteriums.

In the tables below, the ZeroOcc column contains the number of atoms modelled with zero occupancy, the AltConf column contains the number of residues with at least one atom in alternate conformation and the Trace column contains the number of residues modelled with at most 2 atoms.

- Molecule 1 is a protein called Ancestral LacI Transcription Factor.

Mol	Chain	Residues	Atoms					ZeroOcc	AltConf	Trace
			Total	C	N	O	S			
1	D	263	2033	1281	354	396	2	0	0	0
1	A	259	2019	1279	354	384	2	0	0	0
1	C	263	2039	1293	353	391	2	0	0	0
1	B	260	2014	1281	348	383	2	0	0	0

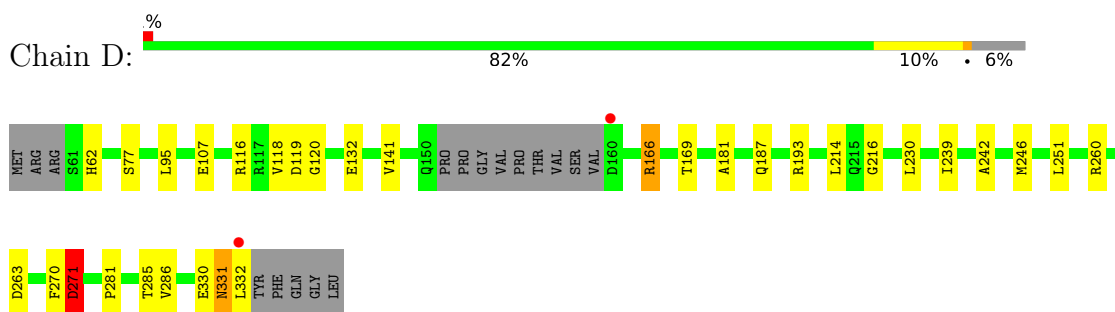
- Molecule 2 is water.

Mol	Chain	Residues	Atoms		ZeroOcc	AltConf
2	D	27	Total 27	O 27	0	0
2	A	16	Total 16	O 16	0	0
2	C	21	Total 21	O 21	0	0
2	B	15	Total 15	O 15	0	0

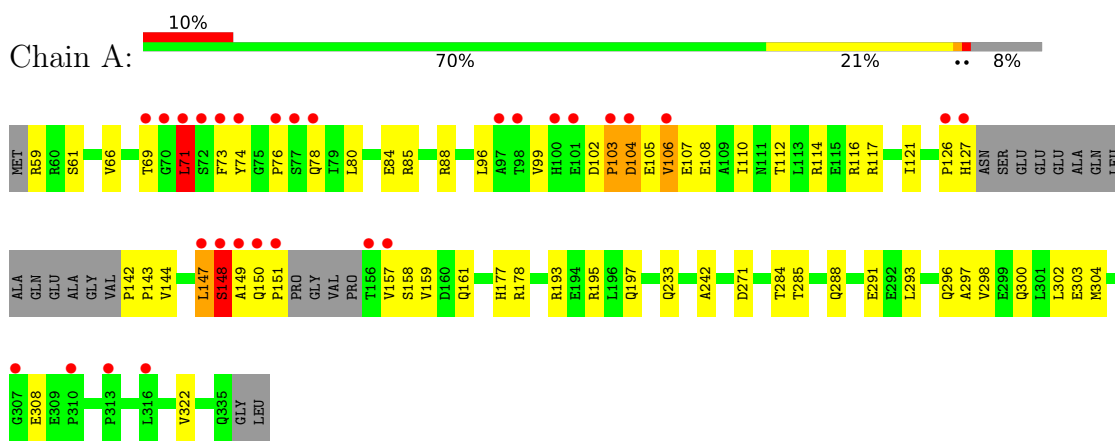
3 Residue-property plots [i](#)

These plots are drawn for all protein, RNA, DNA and oligosaccharide chains in the entry. The first graphic for a chain summarises the proportions of the various outlier classes displayed in the second graphic. The second graphic shows the sequence view annotated by issues in geometry and electron density. Residues are color-coded according to the number of geometric quality criteria for which they contain at least one outlier: green = 0, yellow = 1, orange = 2 and red = 3 or more. A red dot above a residue indicates a poor fit to the electron density ($RSRZ > 2$). Stretches of 2 or more consecutive residues without any outlier are shown as a green connector. Residues present in the sample, but not in the model, are shown in grey.

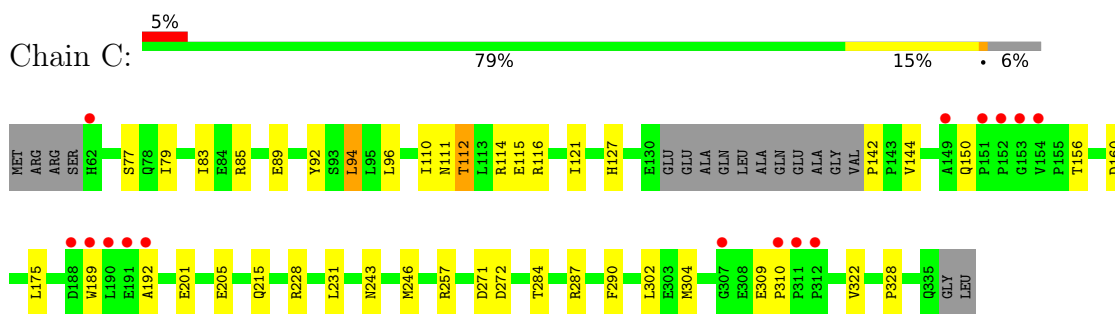
- Molecule 1: Ancestral LacI Transcription Factor




- Molecule 1: Ancestral LacI Transcription Factor

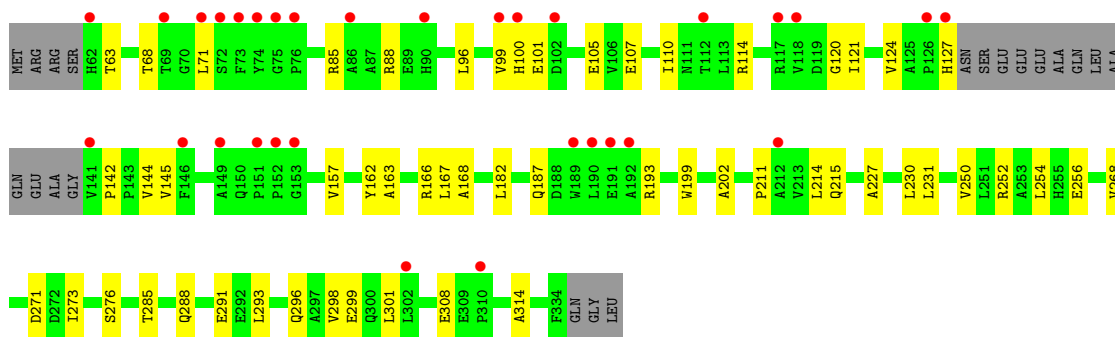


- Molecule 1: Ancestral LacI Transcription Factor



- Molecule 1: Ancestral LacI Transcription Factor

Chain B:  11% 73% 20% 7%



4 Data and refinement statistics

Property	Value	Source
Space group	P 21 21 21	Depositor
Cell constants a, b, c, α , β , γ	62.86Å 85.59Å 211.78Å 90.00° 90.00° 90.00°	Depositor
Resolution (Å)	42.79 – 2.45 42.79 – 2.45	Depositor EDS
% Data completeness (in resolution range)	99.9 (42.79-2.45) 99.9 (42.79-2.45)	Depositor EDS
R_{merge}	0.35	Depositor
R_{sym}	(Not available)	Depositor
$\langle I/\sigma(I) \rangle$ ¹	1.35 (at 2.45Å)	Xtrriage
Refinement program	PHENIX (1.20.1_4487: ???)	Depositor
R, R_{free}	0.224 , 0.274 0.224 , 0.274	Depositor DCC
R_{free} test set	2112 reflections (4.92%)	wwPDB-VP
Wilson B-factor (Å ²)	41.2	Xtrriage
Anisotropy	0.206	Xtrriage
Bulk solvent k_{sol} (e/Å ³), B_{sol} (Å ²)	0.28 , 28.6	EDS
L-test for twinning ²	$\langle L \rangle = 0.48$, $\langle L^2 \rangle = 0.31$	Xtrriage
Estimated twinning fraction	No twinning to report.	Xtrriage
F_o, F_c correlation	0.92	EDS
Total number of atoms	8184	wwPDB-VP
Average B, all atoms (Å ²)	52.0	wwPDB-VP

Xtrriage's analysis on translational NCS is as follows: *The largest off-origin peak in the Patterson function is 3.22% of the height of the origin peak. No significant pseudotranslation is detected.*

¹Intensities estimated from amplitudes.

²Theoretical values of $\langle |L| \rangle$, $\langle L^2 \rangle$ for acentric reflections are 0.5, 0.333 respectively for untwinned datasets, and 0.375, 0.2 for perfectly twinned datasets.

5 Model quality [i](#)

5.1 Standard geometry [i](#)

The Z score for a bond length (or angle) is the number of standard deviations the observed value is removed from the expected value. A bond length (or angle) with $|Z| > 5$ is considered an outlier worth inspection. RMSZ is the root-mean-square of all Z scores of the bond lengths (or angles).

Mol	Chain	Bond lengths		Bond angles	
		RMSZ	# Z >5	RMSZ	# Z >5
1	A	0.23	0/2067	0.45	1/2823 (0.0%)
1	B	0.20	0/2065	0.39	0/2828
1	C	0.21	0/2090	0.38	0/2860
1	D	0.22	0/2079	0.39	0/2841
All	All	0.22	0/8301	0.40	1/11352 (0.0%)

There are no bond length outliers.

All (1) bond angle outliers are listed below:

Mol	Chain	Res	Type	Atoms	Z	Observed(°)	Ideal(°)
1	A	71	LEU	CA-CB-CG	5.60	135.91	116.30

There are no chirality outliers.

There are no planarity outliers.

5.2 Too-close contacts [i](#)

In the following table, the Non-H and H(model) columns list the number of non-hydrogen atoms and hydrogen atoms in the chain respectively. The H(added) column lists the number of hydrogen atoms added and optimized by MolProbity. The Clashes column lists the number of clashes within the asymmetric unit, whereas Symm-Clashes lists symmetry-related clashes.

Mol	Chain	Non-H	H(model)	H(added)	Clashes	Symm-Clashes
1	A	2019	0	1978	46	0
1	B	2014	0	1974	33	0
1	C	2039	0	1991	25	0
1	D	2033	0	1978	20	0
2	A	16	0	0	1	0
2	B	15	0	0	0	0
2	C	21	0	0	0	0
2	D	27	0	0	1	0

Continued on next page...

Continued from previous page...

Mol	Chain	Non-H	H(model)	H(added)	Clashes	Symm-Clashes
All	All	8184	0	7921	119	0

The all-atom clashscore is defined as the number of clashes found per 1000 atoms (including hydrogen atoms). The all-atom clashscore for this structure is 7.

The worst 5 of 119 close contacts within the same asymmetric unit are listed below, sorted by their clash magnitude.

Atom-1	Atom-2	Interatomic distance (Å)	Clash overlap (Å)
1:A:96:LEU:HB2	1:B:96:LEU:HB2	1.62	0.82
1:C:114:ARG:HD3	1:C:142:PRO:HD2	1.67	0.76
1:B:157:VAL:HG23	1:B:314:ALA:HB3	1.69	0.74
1:B:107:GLU:OE1	1:B:127:HIS:NE2	2.26	0.68
1:A:103:PRO:O	1:A:105:GLU:N	2.30	0.65

There are no symmetry-related clashes.

5.3 Torsion angles [i](#)

5.3.1 Protein backbone [i](#)

In the following table, the Percentiles column shows the percent Ramachandran outliers of the chain as a percentile score with respect to all X-ray entries followed by that with respect to entries of similar resolution.

The Analysed column shows the number of residues for which the backbone conformation was analysed, and the total number of residues.

Mol	Chain	Analysed	Favoured	Allowed	Outliers	Percentiles	
1	A	253/280 (90%)	238 (94%)	12 (5%)	3 (1%)	10	11
1	B	256/280 (91%)	237 (93%)	19 (7%)	0	100	100
1	C	259/280 (92%)	247 (95%)	11 (4%)	1 (0%)	30	37
1	D	259/280 (92%)	252 (97%)	5 (2%)	2 (1%)	16	20
All	All	1027/1120 (92%)	974 (95%)	47 (5%)	6 (1%)	21	27

5 of 6 Ramachandran outliers are listed below:

Mol	Chain	Res	Type
1	A	104	ASP
1	A	148	SER

Continued on next page...

Continued from previous page...

Mol	Chain	Res	Type
1	D	271	ASP
1	D	331	ASN
1	A	103	PRO

5.3.2 Protein sidechains [i](#)

In the following table, the Percentiles column shows the percent sidechain outliers of the chain as a percentile score with respect to all X-ray entries followed by that with respect to entries of similar resolution.

The Analysed column shows the number of residues for which the sidechain conformation was analysed, and the total number of residues.

Mol	Chain	Analysed	Rotameric	Outliers	Percentiles	
1	A	213/228 (93%)	205 (96%)	8 (4%)	29	43
1	B	213/228 (93%)	209 (98%)	4 (2%)	50	64
1	C	216/228 (95%)	210 (97%)	6 (3%)	38	54
1	D	213/228 (93%)	208 (98%)	5 (2%)	44	59
All	All	855/912 (94%)	832 (97%)	23 (3%)	39	54

5 of 23 residues with a non-rotameric sidechain are listed below:

Mol	Chain	Res	Type
1	C	94	LEU
1	C	228	ARG
1	C	215	GLN
1	C	271	ASP
1	A	102	ASP

Sometimes sidechains can be flipped to improve hydrogen bonding and reduce clashes. 5 of 11 such sidechains are listed below:

Mol	Chain	Res	Type
1	C	197	GLN
1	C	215	GLN
1	B	255	HIS
1	B	197	GLN
1	A	215	GLN

5.3.3 RNA [i](#)

There are no RNA molecules in this entry.

5.4 Non-standard residues in protein, DNA, RNA chains [i](#)

There are no non-standard protein/DNA/RNA residues in this entry.

5.5 Carbohydrates [i](#)

There are no oligosaccharides in this entry.

5.6 Ligand geometry [i](#)

There are no ligands in this entry.

5.7 Other polymers [i](#)

There are no such residues in this entry.

5.8 Polymer linkage issues [i](#)

There are no chain breaks in this entry.

6 Fit of model and data [i](#)

6.1 Protein, DNA and RNA chains [i](#)

In the following table, the column labelled ‘#RSRZ > 2’ contains the number (and percentage) of RSRZ outliers, followed by percent RSRZ outliers for the chain as percentile scores relative to all X-ray entries and entries of similar resolution. The OWAB column contains the minimum, median, 95th percentile and maximum values of the occupancy-weighted average B-factor per residue. The column labelled ‘Q < 0.9’ lists the number of (and percentage) of residues with an average occupancy less than 0.9.

Mol	Chain	Analysed	<RSRZ>	#RSRZ>2	OWAB(Å ²)	Q<0.9
1	A	259/280 (92%)	0.35	29 (11%) 10 8	23, 45, 103, 136	0
1	B	260/280 (92%)	0.64	31 (11%) 9 7	26, 60, 105, 143	0
1	C	263/280 (93%)	0.40	15 (5%) 29 26	25, 49, 91, 111	0
1	D	263/280 (93%)	-0.11	2 (0%) 82 83	24, 40, 61, 79	0
All	All	1045/1120 (93%)	0.32	77 (7%) 20 18	23, 46, 97, 143	0

The worst 5 of 77 RSRZ outliers are listed below:

Mol	Chain	Res	Type	RSRZ
1	A	73	PHE	5.8
1	C	189	TRP	4.9
1	C	190	LEU	4.8
1	A	72	SER	4.5
1	A	147	LEU	4.4

6.2 Non-standard residues in protein, DNA, RNA chains [i](#)

There are no non-standard protein/DNA/RNA residues in this entry.

6.3 Carbohydrates [i](#)

There are no oligosaccharides in this entry.

6.4 Ligands [i](#)

There are no ligands in this entry.

6.5 Other polymers [i](#)

There are no such residues in this entry.